


PRODUCT SHEET

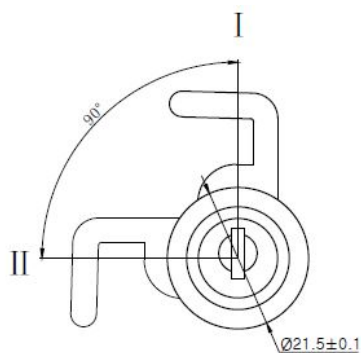
Description:

Cam Lock $\varnothing 16 \times 9,5 \text{mm}$, 90DG, CPL, D/E, MK SISO, W/Spring Clip, 150 Key Combinations pr. Export Carton

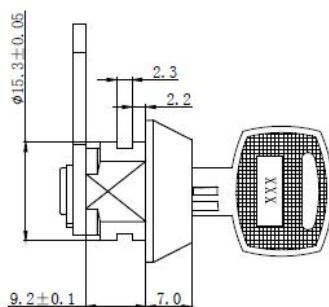
Item number:

14.08.110-1

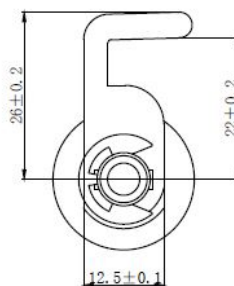
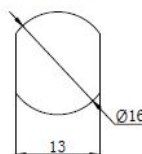
Units	Box	Carton	HS Code	Barcode
Pcs.	50	300	8301300000	 5704866103602



Clip



Installation hole size



SISO A/S

Mileparken 11
DK-2740 Skovlunde
Denmark
VAT: DK 24786013

Phone +45 45 830 900

www.siso.dk
siso@siso.dk

Danske Bank
Nytorv Branch
Copenhagen
SWIFT: DABADKKK

Account no.
4180 3112 112936
IBAN Account
DK7230003112112936